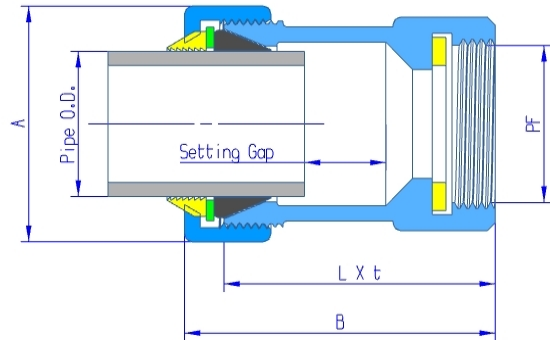
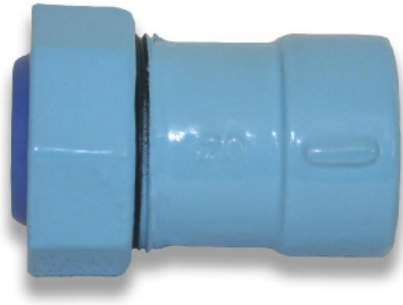


Junior Mechanical fittings

Standard series

Water Scket

Plain End to Female PF Thread



Main Dimensions

Unit: mm

Size	Pipe O.D.		Coupling Overall		Body		Setting Gap		PF	Weight
	SGP-PD *	HIVP * *	A	B	L	t	Min	Max	PF-n	Kg
15	24.7	22.0	49	68	59	3	3	26	3/4"-14	0.2
20	30.2	26.0	55	74	64	3	3	27	1"-11	0.4
25	37.0	32.0	66	79	69	3	4	28	1 1/4"-11	0.5
32	45.7	42.0	73	78	67	4	5	25	1 1/2"-11	0.7
40	52.6	48.0	80	86	75	4	5	33	2"-11	0.9
50	64.5	60.0	96	97	85	5	7	39	2 1/2"-11	1.4

* JWWA K 132: Polyethylene powder-coated steel pipe for water supply.

* * JIS K 6742: Unplasticized poly (vinyl chloride) (PVC-U) pipes for water supply or other Imperial pipes including PVC pipe, PE Pipe, ABS pipe and Steel pipe.

This item can be supplied without outlet for use as end cap or with outlet connectable with threaded fittings. Outlet is available with 1/2", 3/4", 1", 1 1/4", 1 1/2" and 2" BSP or BSPT thread as per requirement.



Qingdao Rockpower Machinery Co., Ltd.

1506, Sino-Commerce Building, 100, Middle Hongkong Road, Qingdao, China
www.rockpower.cn

Tel.: (0532) 8592-1910 8592-1920 Fax.: (0532) 8592-1252
 e-mail: rockson@rockpower.cn