

Water Meter Housing

for Woltmann Water Meter



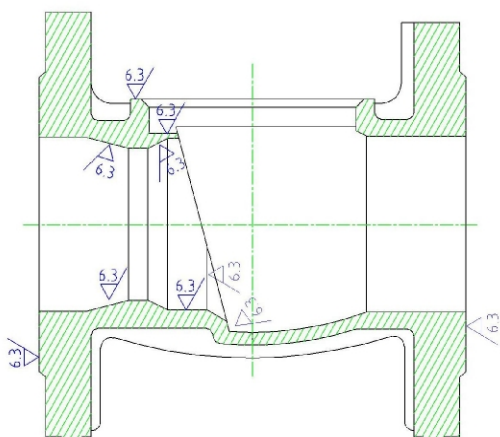
Finish Machined and Epoxy Powder Coated

Material: Ductile Cast Iron to BS EN 1563
Grade GJS 450-10

Coating Thickness : 150µm

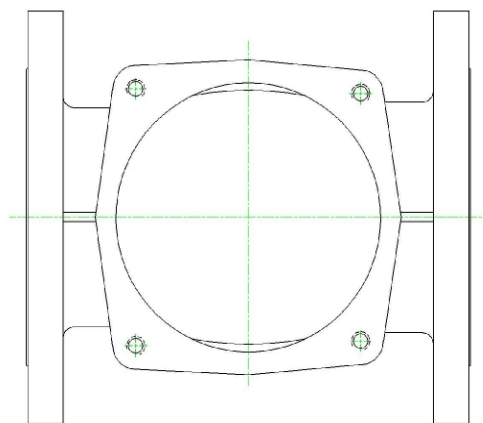
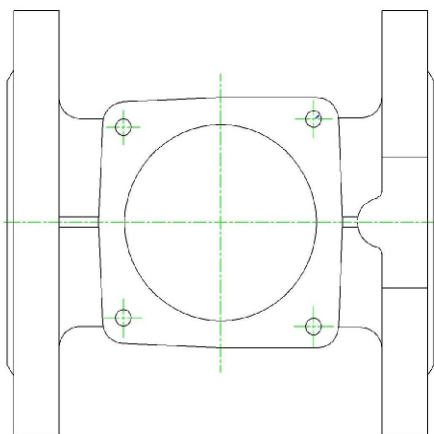
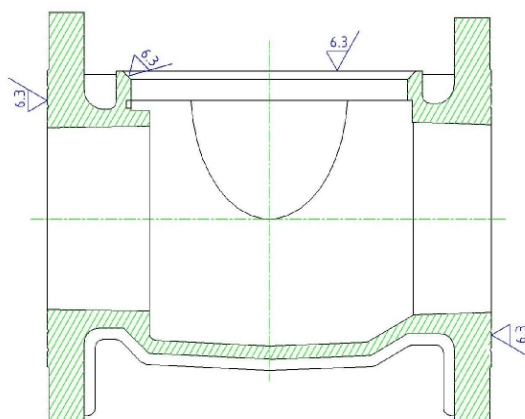
Type A

with sloping surface contacted with a horizontal turbine



Type B

with vertical surface contacted with a horizontal turbine



Qingdao Rockpower Machinery Co., Ltd.

1506, Sino-Commerce Building, 100, Middle Hongkong Road, Qingdao, China
www.rockpower.cn

Tel.: (0532) 8592-1910 8592-1920 Fax.: (0532) 8592-1252
e-mail: rockson@rockpower.cn