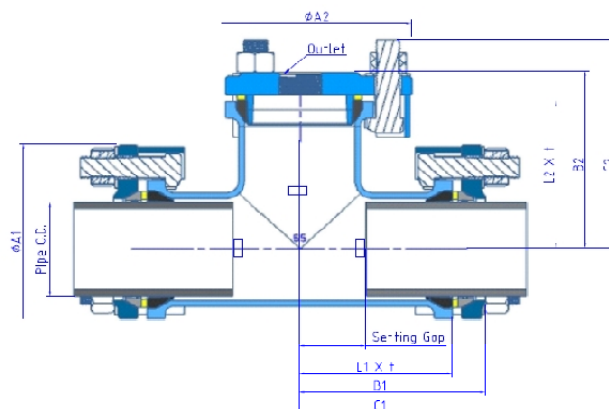
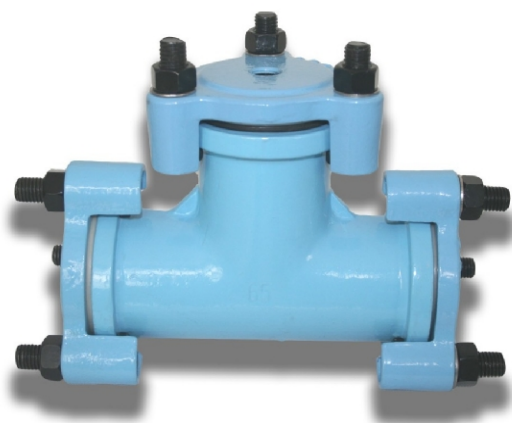


Bolted Mechanical fittings

Standard series

Outlet with Tee

Plain End to Female Thread



Main Dimensions

Unit: mm

Size	Pipe O.D.		Fitting Overall						Body			Weight
	SGP-PD *	HIVP * *	A1	A2	B1	B2	C1	C2	L1	L2	t	Kg
65	80.3	76	168	169	142	147	165	170	115	120	4.5	9.0
80	93.1	89	182	169	147	145	163	168	116	118	5	10.2
100	118.3	114	219	169	167	159	172	182	128	132	6	14.3
Size	Setting Gap		Bolts									
	Min	Max	n	M x L								
65	55	85	3	M18x76								
80	47	82	3	M18x76								
100	48	89	3	M18x76								

* JWWA K 132: Polyethylene powder-coated steel pipe for water supply.

* * JIS K 6742: Unplasticized poly (vinyl chloride) (PVC-U) pipes for water supply or other Imperial pipes including PVC pipe, PE Pipe, ABS pipe and Steel pipe.

This item can be supplied without outlet for use as end cap or with outlet connectable with threaded fittings. Outlet is available with 1/2", 3/4", 1", 1 1/4", 1 1/2" and 2" BSP or BSPT thread as per requirement.



Qingdao Rockpower Machinery Co., Ltd.

1506, Sino-Commerce Building, 100, Middle Hongkong Road, Qingdao, China
www.rockpower.cn

Tel.: (0532) 8592-1910 8592-1920 Fax.: (0532) 8592-1252
 e-mail: rockson@rockpower.cn