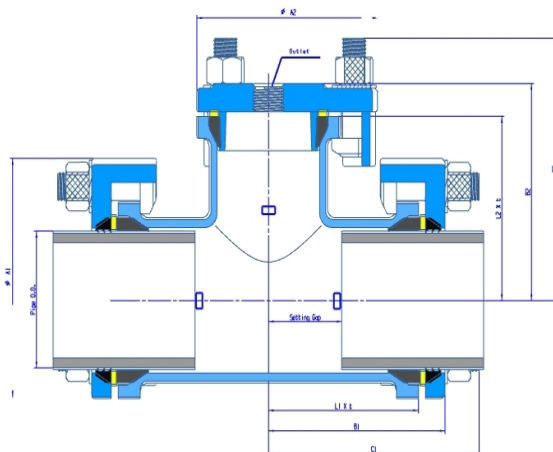
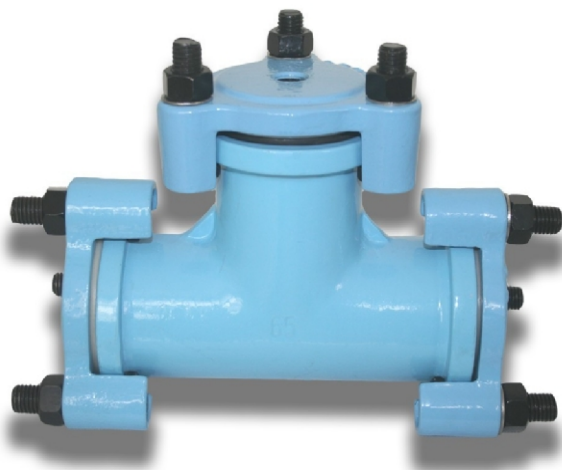


# Bolted Mechanical fittings

## Steel Lock series

### Outlet with Tee

Plain End to Female Thread



### Main Dimensions

Unit: mm

Size	Pipe O.D.	Fitting Overall						Body			Setting Gap		Weight
	HIVP * *	A1	A2	B1	B2	C1	C2	L1	L2	t	Min	Max	Kg
65	76	168	169	139	147	165	170	115	120	4.5	55	85	9.0
80	89	182	169	144	145	163	168	116	118	5	47	82	10.3
100	114	219	169	161	159	172	182	128	132	6	48	89	14.7
Size	Bolts												
	n	M x L											
65	3	M18x76											
80	3	M18x76											
100	3	M18x76											

\* JIS K 6742: Unplasticized poly (vinyl chloride) (PVC-U) pipes for water supply or other Imperial pipes including PVC pipe, PE Pipe, ABS pipe and Steel pipe.

This item can be supplied without outlet for use as end cap or with outlet connectable with threaded fittings. Outlet is available with 1/2", 3/4", 1", 1 1/4", 1 1/2" and 2" BSP or BSPT thread as per requirement.



Qingdao Rockpower Machinery Co., Ltd.

1506, Sino-Commerce Building, 100, Middle Hongkong Road, Qingdao, China  
[www.rockpower.cn](http://www.rockpower.cn)

Tel.: (0532) 8592-1910 8592-1920 Fax.: (0532) 8592-1252  
 e-mail: [rockson@rockpower.cn](mailto:rockson@rockpower.cn)